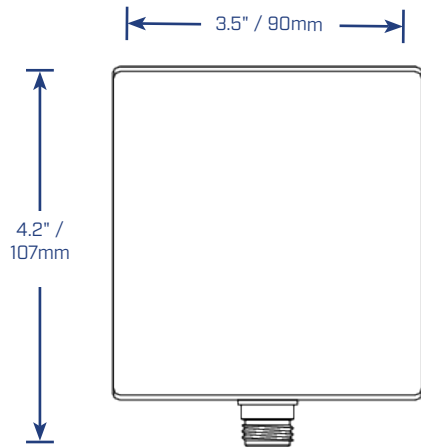


Package Contents

- 2.4 GHZ Directional Wireless Panel Antenna
- Mount
- Screws (×2)
- Anchors (×2)
- 20ft (6m) Antenna Extension Cable

Dimensions



Specifications

Frequency	2400-2500 MHz
Max Gain	9 dBi
Max Input Power	10 W Max.
Connector	N Female
Wave Impedance	50 Ω (±5 Ω)
Horizontal signal pattern (H-Plane)	75°
Vertical signal pattern (E-Plane)	75°
Weight	0.6lbs (280g)
Dimensions	4.2 × 3.5 × 1.2" (107 × 90 × 30mm)

Compatibility

Prior to installing the antenna, visit lorextechnology.com/compatibility and review the **Wireless Range Extender Antennas Compatibility** chart.

Installation Tips

ATTENTION:

Prior to installing your antenna, review the online **antenna FAQ** by visiting lorextechnology.com and searching for **ACCANTD9**. Read the **antenna FAQ** to ensure you have the correct antenna and installation method to meet your needs.

- The antenna has a 75° horizontal and vertical signal pattern. For the highest signal strength, ensure the target device is within 75° of the center of the antenna.
- The antenna should be aimed directly at the target device with a clear line of sight, or wireless performance will be reduced (estimated range up to 800ft).

NOTE: Newer wireless receivers may include weatherproof housing and can be installed outdoors, providing a better line of sight between the receiver and the antenna. See the product specifications to determine the weatherproof rating of your receiver.

- Objects such as concrete, cement, trees, or other large objects can reduce the strength of your wireless signal.
- Select a mounting location (roof, fence, etc.) prior to assembling the antenna.
- Fully extend the length of the included extension cable to ensure the antenna will be an adequate distance from the device it is connected to.
- Ensure you can safely drill into your selected mounting location.

Copyright © 2017 Lorex Corporation
As our products are subject to continuous improvement, Lorex reserves the right to modify product design, specifications and prices, without notice and without incurring any obligation. E80E. All rights reserved.

Assembling the Antenna

ATTENTION:

- Prior to installing your antenna, review the online **antenna FAQ** by visiting lorextechnology.com and searching for **ACCANTD9**. Read the **antenna FAQ** to ensure you have the correct antenna and installation method to meet your needs.
- Depending on your installation requirements, you may wish to connect the antenna to a wireless camera, wireless receiver, or both.
- Review the **Installation Tips** prior to assembling and installing the antenna. Following the installation tips is necessary to ensure effective signal strength.
- Select a mounting location (roof, fence, etc.) prior to assembling the antenna. Mast (not included) might be required for proper mounting depending on your specific installation.

1. Remove the mounting plate from the back of the directional antenna and place on the surface you wish to mount the antenna. Mark the holes for drilling.
2. Drill the holes. Fasten the mounting plate to the surface using the included mounting kit.
3. Remove the rubber cap from the bottom of the directional antenna and connect the included antenna extension cable.
4. Slide the directional antenna onto the mounting plate.
5. Run the other end of the included extension cable to the device in need of range extension. Remove the antenna from your device and attach the directional antenna extension cable.

