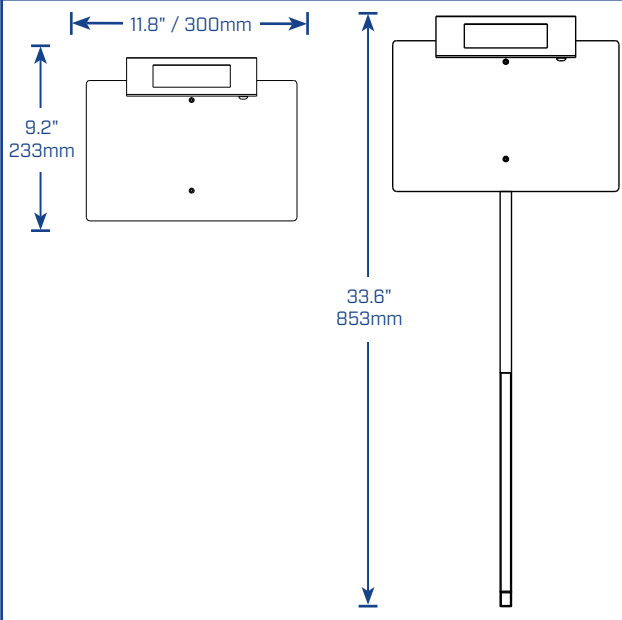


Package Contents

- Yard Sign with Solar LED Light and Rechargeable Battery
- Mounting Screws & Drywall Anchors (×2)
- Sign Post (3 pieces; 1 pre-attached to sign)

Dimensions



Getting Started

- Before installing the sign, press the power button on the underside of the solar LED light. This will allow the battery to charge during the day and turn on the light at night. It is recommended to check that the light comes on in a dark room before installing the sign.
- Choose a location for the sign with plenty of direct sunlight exposure. Do not install in a covered or shaded area.
- The solar panel requires at least 3-4 hours of direct sunlight per day. Performance dependent on temperature and light exposure.
- For wall mounting, ensure you can safely drill into your selected mounting location.

Safety Precautions

- The solar panel may require periodic cleaning to ensure it is capturing light effectively. Use a damp cloth only. Do not use chemical cleaners.
- Do not dispose of the battery in regular garbage. Handle as hazardous waste. Dispose according to local hazardous waste programs.

Installation [YARD SIGN]

ATTENTION:

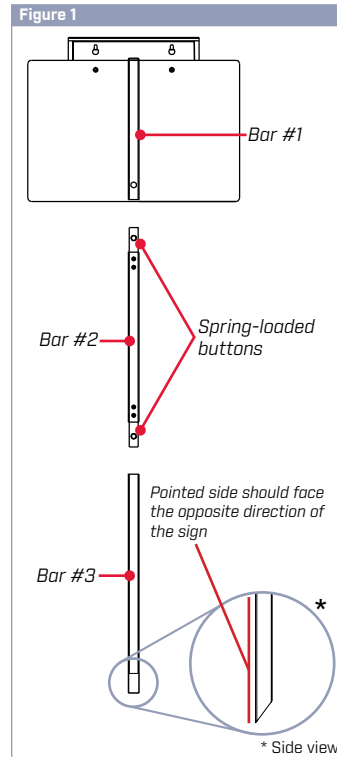
Choose a location for the sign with plenty of direct sunlight exposure. Do not install in a covered or shaded area.

To install the sign in the ground:

1. Wearing protective work gloves, push the pointed end of Bar #3 into the ground. The pointed side of the bar should point the opposite direction that the sign will face.

NOTE: If the ground is especially solid, tap the bar into place using a rubber mallet.

2. Press the spring-loaded button on the bottom of Bar #2 to insert into the top of Bar #3. **Be careful not to pinch your fingers between the bars.**
3. Press the spring-loaded button on the top of Bar #2 to insert into the top of Bar #1 (pre-attached to the back of the sign). **Be careful not to pinch your fingers between the bars.**



Installation [WALL SIGN]

ATTENTION:

Choose a location for the sign with plenty of direct sunlight exposure. Do not install in a covered or shaded area.

To install the sign on a wall:

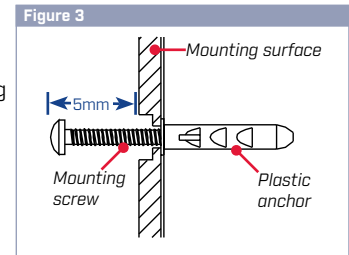
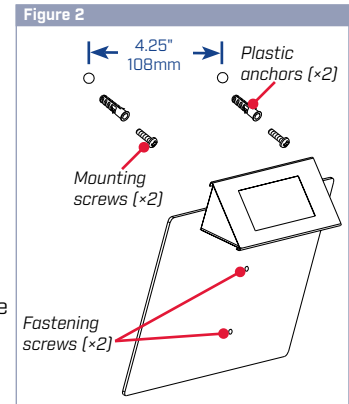
1. Remove the fastening screws (see **Figure 2**) from the front of the sign using a Phillips head screwdriver (not included). This removes the back bar to prepare the sign for wall-mounting.

2. Drill holes for the mounting screws and plastic anchors (×2). The holes must be level and 4.25" (108mm) apart center-to-center.

3. Insert the anchors firmly into the holes (recommended to tap anchors into place using a rubber mallet).

4. Use a Phillips screwdriver to insert the mounting screws into the anchors. Leave approximately 5mm of each screw outside of the anchor (see **Figure 3**).

5. Line up the notches on the back of the solar LED light with the protruding screws and push down on the sign to secure it in place.



Copyright © 2018 Lorex Corporation

As our products are subject to continuous improvement, Lorex reserves the right to modify product design, specifications and prices, without notice and without incurring any obligation. E&OE. All rights reserved.