

# LOREX<sup>®</sup>

## 4K ACTIVE DETERRENCE NETWORK SECURITY CAMERA



### STOP CRIME BEFORE IT EVEN STARTS

Lorex Active Deterrence cameras offer a new level of security coverage for your home or business. Warn off would-be intruders with dual programmable LED lights, remote-triggered siren, and 2-way talk. The super wide angle viewing allows you to cover more area with a single camera.

#### Features:

- 4K (8MP) Ultra HD delivers four times the detail of 1080p<sup>1</sup> for the clearest visual evidence possible
- Programmable dual motion-activated LED warning lights warn away would-be intruders
- Remote-triggered siren to discourage trespassing and alert others
- Advanced dual motion detection technology increases accuracy
- The latest H.265 compression technology reduces video file sizes by up to 50% to save valuable hard drive space
- Color Night Vision™ delivers full color nighttime video for improved recognition of people or objects in low light conditions<sup>2</sup>
- IR night vision range up to 130ft (40m) in ambient lighting and 90ft (27m) in total darkness<sup>3</sup>
- Smart IR for improved recognition of close-up objects or people in the dark
- True HDR gives you picture clarity and detail under high-contrast lighting conditions
- Super wide angle 128° field of view (diagonal)
- Built-in microphone and speaker for 2-way talk<sup>4</sup>
- Includes two mounts for multiple indoor and outdoor mounting options
- Simple camera installation using a single CAT5e cable with Power over Ethernet (PoE)
- Weatherproof IP66 rated<sup>5</sup> and cold climate capability (-22°F / -30°C)
- Weatherproof Ethernet connector cover for a protective seal against the elements



**4K (8MP)**  
Ultra High Definition

**130/90** FT  
**40/27** M

Night Vision

**128°** Field of view

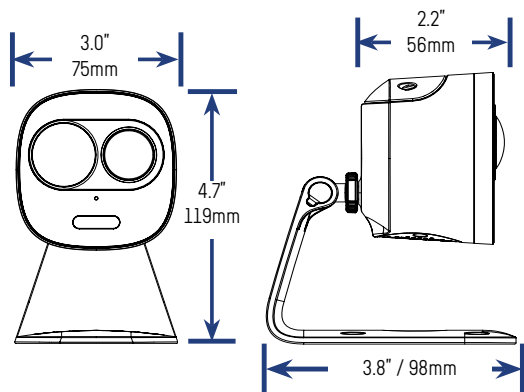
**2-Way Talk**

## Product Information

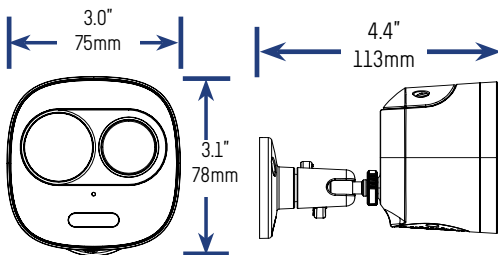
LNB8211X	6-95529-01967-3
LNB8211XP	6-95529-02026-6
Configuration	4K (8MP) IP Active Deterrence Security Camera
Package	Giftbox
Package Dimensions (W x D x H)	11.7 x 5.7 x 4.6" 296 x 145 x 118mm
Package Weight	3.8lbs / 1.72kg
Package Cube	0.17cbf / 0.004cbm
Contents	1 x 4K (8MP) IP Active Deterrence Security Camera, 1x Ceiling Mount / Tabletop Stand, 1x Wall Mount, 1x 100ft (30m) CAT5e Ethernet Cable, 1 x Mounting Kit, Quick Start Guide

## Dimensions

Camera with Ceiling Mount / Table Top Stand



Camera with Wall Mount



## Disclaimers

- Compatible with select Lorex LNR Series NVRs. For the most up-to-date list of compatible recorders, visit [www.lorex.com/compatibility](http://www.lorex.com/compatibility)
- Full color nighttime video typically switches to black & white IR night vision below 1 lux to ensure optimal low-light image quality.
- Stated IR illumination range is based on ideal conditions in typical outdoor night time ambient lighting and in total darkness. Actual range and image clarity depends on installation location, viewing area, and light reflection / absorption level of object. In low light, the camera will switch to black and white.
- Audio recording is disabled by default. Audio recording without consent is illegal in certain jurisdictions. Lorex Technology does not assume liability for any use of its products that fails to conform with local laws.
- Not intended for submersion in water. Installation in a sheltered location recommended.

## Specifications

Image Sensor	1/2.5" 8MP
Video Format	NTSC / PAL
Effective Pixels	H: 3840 V: 2160
Resolution	8MP (3840x2160) @ 15fps
Scan System	Progressive
Sync System	Internal
S/N Ratio	44dB (AGC Off)
Iris	Fixed
AES Shutter Speed	1/3(4)-1/100,000 seconds
Min. Illumination	0.7 Lux without IR LED 0 Lux with IR LED
Video Output	IP
Audio	Built-in Microphone & Speaker <sup>4</sup>
Lens / Lens Type	2.8mm F2.0 / Fixed
Field of view (Diagonal)	128°
Termination	RJ45 Ethernet / 12V DC Power Barrel (optional)
IR LED Type	850nm
Night Vision Range	130ft (40m) / 90ft (27m) <sup>3</sup>
Color Night Vision™	Yes
Power Requirement	PoE (Power over Ethernet) / 12V DC
Power Consumption	Max. 600mA / 7.2W
Operating Temp. Range	-22°F ~ 122°F / -30° ~ 50°C
Operating Humidity Range	<95% RH
Environmental Rating	IP66 (Indoor / Outdoor) <sup>5</sup>
Dimensions (W x D x H)	with Ceiling Mount/ Table Top Stand 3.0" x 3.8" x 4.7" / 75mm x 98mm x 119mm
Dimensions (W x D x H)	with Wall Mount 3.0" x 4.4" x 3.1" / 75mm x 113mm x 78mm
Weight	1.4lbs / 0.64kg

## Setup Diagram

