

Package Contents

- 5MP HD Dome Security Camera
- Mounting Kit*
- BNC / Power Extension Cable*
- Power Adapter**

* Per camera in multi-camera packs.

** A multi-camera power adapter that provides power to multiple cameras or individual power adapters may be provided depending on product configuration.

ATTENTION:

A REGULATED UL / CSA APPROVED power supply is REQUIRED for use with this camera (included). Use of a non-regulated, non-conforming power supply can damage this product and voids the warranty.

Safety Precautions

- Read this guide carefully and keep it for future reference.
- Follow all instructions for safe use of the product and handle with care.
- Use the camera within given temperature, humidity and voltage levels noted in the camera's specifications.
- Do not disassemble the camera.
- Do not point the camera directly towards the sun or a source of intense light.
- Use only the supplied regulated power supply provided with the product. Use of a non-regulated, non-conforming power supply can damage the product and void the warranty.
- Periodic cleaning may be required. Use a damp cloth only. Do not use any harsh, chemical-based cleaners.
- The supplied cable is rated for surface mounting only. Cables for in-wall and floor-to-floor installations are sold separately (CMR type). These and other cables are available at lorex.com.

Installation Tips

- Point the camera where there is the least amount of obstructions (i.e., tree branches).
- Install the camera where vandals cannot easily reach.
- Secure cabling so that it is not exposed or easily cut.
- This camera is rated for outdoor use. Installation in a sheltered location is recommended.

Resources

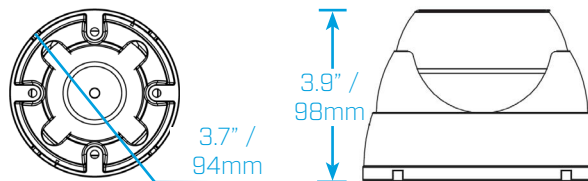
Need Help?

Visit us online for up-to-date software and complete instruction manuals

- 1 Visit lorex.com
- 2 Search for the model number of your product
- 3 Click on your product in the search results
- 4 Click on the **Downloads** tab



Dimensions



Disclaimers

- For a full list of compatible recorders, visit lorex.com/compatibility
- Not intended for submersion in water. Installation in a sheltered location recommended.
- This camera includes an Auto Mechanical IR Cut Filter. When the camera changes between Day/Night viewing modes, an audible clicking noise may be heard from the camera. This clicking is normal, and indicates that the camera filter is working.

LOREX[®]

5MP HD Dome Security Camera

Quick Start Guide
English Version 2.0



Copyright © 2019 Lorex Corporation

As our products are subject to continuous improvement, Lorex reserves the right to modify product design, specifications and prices, without notice and without incurring any obligation. E60E. All rights reserved.

C581CD_QSG_EN_R2

C581CD SERIES

www.lorex.com

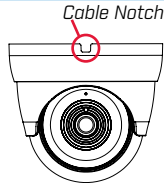
Installing the Camera

ATTENTION:

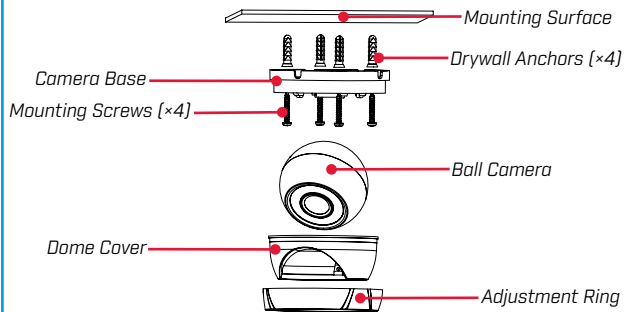
Test your camera prior to selecting a permanent mounting location by temporarily connecting the camera and cable to your DVR.

Before Installing the Camera

- Decide whether to run the cables through the wall / ceiling (drilling required) or along the wall / ceiling.
- If you run the cables along the wall / ceiling, you must run the cable through the **cable notch** on the base. This will keep the camera base flush to the surface when mounted.

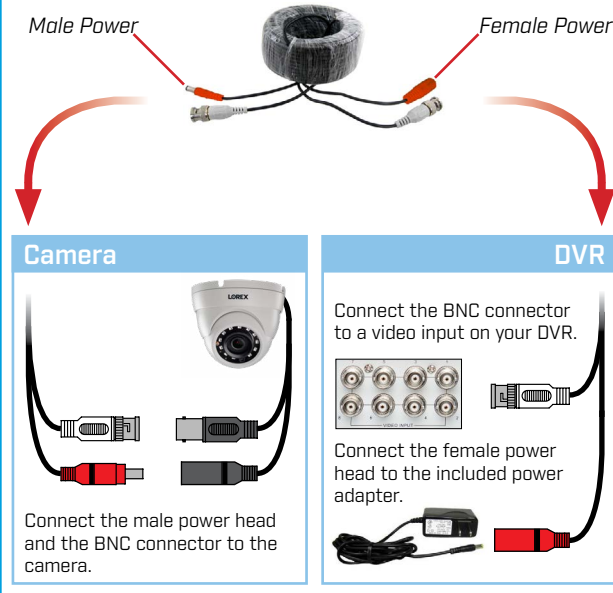


To install your camera:



- Rotate the camera base counterclockwise to separate it from the ball camera, adjustment ring, and dome cover.
- Use the included mounting template to mark and drill holes for the included mounting screws.
- Feed the cable through the camera base. If you are running the cables against a wall or ceiling, make sure to pass the cable through the cable notch as shown above.
- Connect the cables as shown in the section 'Connecting the Camera'.
- Mount the camera base to the mounting surface using the included screws and optional drywall anchors.
- Place the adjustment ring over the dome cover, then place both over the ball camera. Twist the adjustment ring clockwise halfway onto the camera base. Do not tighten all the way.
- Move the ball camera to the desired position. While holding the ball camera firmly in place, twist the adjustment ring the rest of the way to secure it to the camera base. Holding the camera prevents it from moving while securing the adjustment ring.
- Remove the vinyl film from the camera lens when your installation is complete.

Connecting the Camera



Power Adapter Types

A multi-camera power adapter that provides power to multiple cameras or individual power adapters may be provided, depending on product configuration.

Individual Power Adapter*

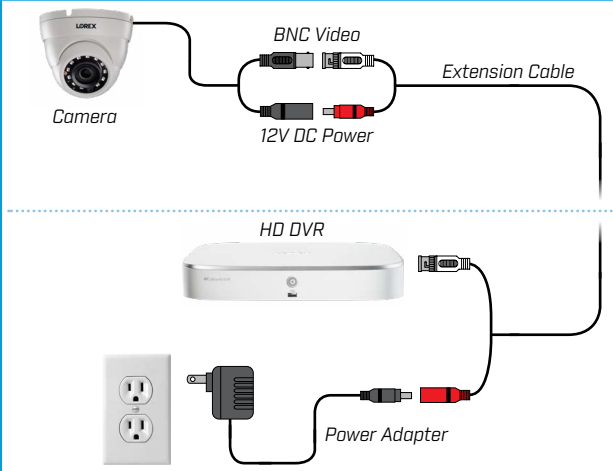


* Images for representation only

Multi-Camera Power Adapter*



Setup Diagram



Cable Extension Options

Extend the cable run for your camera depending on the cable type used. Additional extension cables sold separately. See table below:

Option	Cable Type	Max Cable Run Distance
1	BNC cable included with the camera	60ft (18m)
2	'RG59' or 'Coax' or 'Coaxial BNC' Siamese (Video and Power)	200ft (61m)
3	'RG59' or 'Coax' or 'Coaxial BNC' (Video Only) ²	800ft (242m)

NOTES:

- The extension cable must be a single stretch of cable between the DVR and camera. You cannot connect multiple extension cables to each other.
- For cable runs above 200ft (61m), you must connect the power adapter directly to the camera, rather than at the end of the extension cable.
- Indicators that your cable run may be too long:
 - Video is permanently black & white (even during day time).
 - Video is unclear, soft, or distorted.
- For more information on extension cables, visit lorex.com.

Troubleshooting

Problem	Solution
No picture / signal	<ul style="list-style-type: none"> The cameras are only compatible with certain Lorex HD DVRs. For the full list of compatible recorders, visit lorex.com/compatibility Ensure your TV or monitor is on the correct input channel. Common terms for input channels: INPUT, AV CHANNEL, LINE1, LINE2, AUX. Ensure your DVR is properly connected to your TV or monitor. Ensure connections are properly connected. Ensure the camera power supply is plugged in.
Picture is too bright	<ul style="list-style-type: none"> Ensure your camera isn't pointed directly at a source of light (e.g., sun or spot light). Check the brightness settings of the DVR and monitor. Move your camera to a different location.
Picture is too dark	<ul style="list-style-type: none"> Check the brightness and contrast settings of the DVR and monitor.
Night vision is not working	<ul style="list-style-type: none"> The night vision activates when light levels drop. The area may have too much light.
Picture is not clear	<ul style="list-style-type: none"> Check the camera lens for dirt, dust, spiderwebs. Clean the lens with a soft, clean cloth. Make sure that the cable run is within the limitations specified in the section 'Cable Extension Options'. Remove the vinyl film from the camera lens when your installation is complete.
Bright spot in video when viewing camera at night	<ul style="list-style-type: none"> Night vision reflects when pointing a camera through a window. Move the camera to a different location.