

LOREX[®]

4K ULTRA HD EYEBALL DOME SECURITY CAMERA



SEE IT ALL WITH EXCEPTIONAL 4K RESOLUTION

Experience professional grade quality, outstanding video and reliable recording in 4K Ultra HD.

Features:

- View in exceptional 4K (8MP) Ultra High Definition with an image sensor that delivers four times the detail of 1080p¹
- 4K (8MP) Ultra HD video recording provides superior quality for reviewing fine details in increased resolution
- Infrared cut filter ensures accurate color representation
- Color Night Vision™ provides color images (with ambient lighting from porch or street lamps) letting you identify objects and people more accurately than in black & white²
- Night vision range up to 150ft (46m) in ambient lighting and 100ft (31m) in total darkness³
- Close up recognition in the dark with SmartIR
- Large 1/2" image sensor offers very high quality night time video
- ClearNight imaging for improved low light performance and improved recording efficiency
- Split glass design minimizes IR reflection
- Weatherproof for outdoor & indoor installation (IP67 Rated)⁴
- Extreme temperature performance (-22°F ~ 140°F / -30° ~ 60°C)
- 87° horizontal field of view
- Durable metal housing
- 3-axis design for wall / ceiling mounting
- Includes 60ft video/power cable for simple installation⁵

4K Resolution

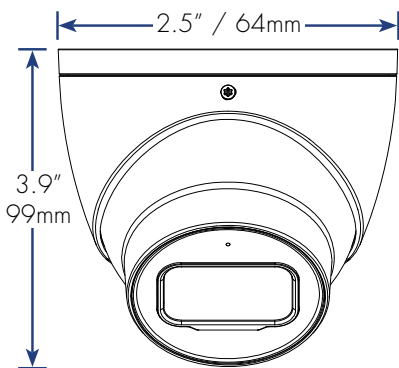
150/100 FT
46/31 M Night Vision³

Indoor/outdoor

Product Information

Model	LEV8532B
Configuration	4K Ultra HD Eyeball Dome Security Camera
Package	Brown Box
Package Dimensions (W x D x H)	22.8 x 19.0 x 16.0" / 579 x 483 x 406mm
Package Weight	3.14lbs / 1.4kg
Package Cube	4.0cft / 0.11cbm
UPC	6-95529-01640-5
Contents	1 x 4K Ultra HD Eyeball Dome Security Camera, 1 x 60ft/18m BNC/DC extension cable, 1 x Mounting Kit, 1 x US Power Adapter, Quick Setup Guide

Dimensions



Disclaimers

- 4K (8MP) Ultra HD cameras are compatible with select Lorex 4K HD DVR recorders. For a full list of compatible recorders, visit www.lorexttechnology.com/compatibility
- Color nighttime video typically switches to black & white IR night vision when there is not sufficient ambient light to ensure optimal low-light image quality.
- Stated IR illumination range is based on ideal conditions in typical outdoor night time ambient lighting and in total darkness. Actual range and image clarity depends on installation location, viewing area, and light reflection / absorption level of object. In low light, the camera will switch to black and white.
- Not intended for submersion in water. Installation in a sheltered location recommended.
- This camera should only be used with the supplied cable and power adapter, or an extension cable meeting the specifications listed in the Quick Setup Guide / Installation Guide. The use of any other power adapter or cabling will adversely affect performance.

Specifications

Image Sensor	4K (8MP), 1/2" CMOS
Video Format	NTSC / PAL
Effective Pixels	H: 3840 V: 2160
Resolution	4K(8MP)@15fps
Scan System	Progressive
Sync System	Internal
S/N Ratio	>65dB (AGC Off)
Iris	AES
AES Shutter Speed	1/3 (1/4) ~ 1/100,000 sec.
Min. Illumination	0.01 Lux without IR LED 0 Lux with IR LED
Video Output	MPX
Lens / Lens Type	3.6mm F1.6 / Fixed
Field of view (Horizontal)	87°
Termination	BNC Type
IR LED Qty / Type	2 pieces (High Power) / 850nm
Night Vision Range	150ft (46m) / 100ft (31m)
Power Requirement	12V DC ±10%
Power Consumption	Max. 585mA (w/IR), 7.0W
Operating Temp. Range	-22°F ~ 140°F / -30° ~ 60°C
Operating Humidity Range	<90% RH
Environmental Rating	Weatherproof (IP67)
Weight (including stand)	0.7lbs / 0.3kg

Setup Diagram ⁵

