

LOREX[®]

Motion Sensor

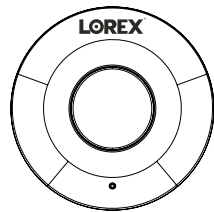


AM41TK Series

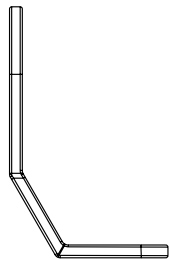
Quick Start Guide

lorex.com

Package Contents



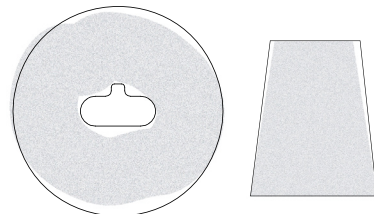
PIR Sensor



Bracket (optional)



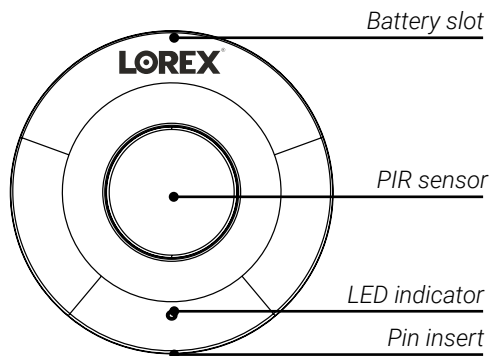
Pin*



Mounting Adhesive

*May include one or more, depending on the package purchased.
To purchase additional sensors, visit lorex.com and/or authorized resellers.

Overview



Specifications

- Environment: Indoor
- Maximum detection distance: 26 feet
- Maximum detection angle: 110°
- Operating temperature: 14°F~113°F
- Operating humidity: 0-95%RH
- Battery: CR2450
- Protocol: Bluetooth 5.0

LED Behavior

See the table below for definitions of the sensor's LED behaviors:

Behavior	Meaning
● (solid for 2 seconds)	Powered on.
● (flashing rapidly)	Ready to pair.
● (solid for 2 seconds)	Pairing successful.
● (flashing 3 times)	Pairing failed. Try repeating the setup.
● (flashing rapidly)	Alarm has been triggered.
● (flashing)	Firmware upgrade in progress.



WARNING:

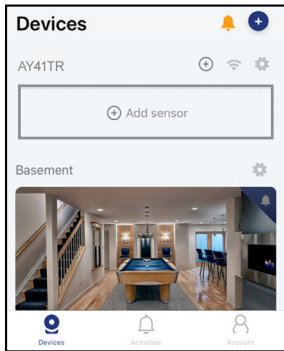
CHOKING HAZARD
KEEP OUT OF REACH OF CHILDREN

Lorex products come with a standard 1-year warranty. For more information about Lorex's warranty policy, visit lorex.com/warranty.

STEP 1: Pairing to Your Device

To connect the sensor to your device:

1. Tap the Lorex Home icon to launch the app.
2. In the **Devices** tab, press **+ Add sensor** to set up the sensor.
Tap the **+** icon on the top right of the screen to add more sensors.



NOTE: the screen to the left is taken from the Sensor Hub.

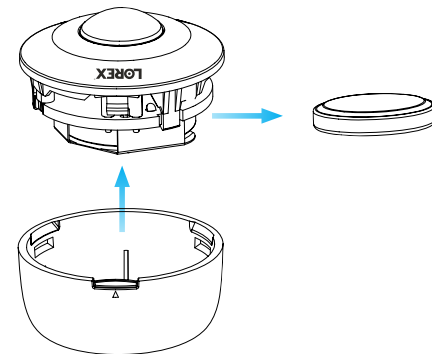
3. Follow the on screen prompts to complete the rest of the setup. The Lorex Home app will walk you through the process, step by step.



Changing the Battery

To change the sensor's battery:

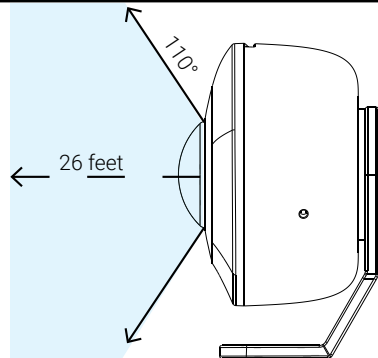
1. Make sure your system is disarmed.
2. Use the wide part of the pin to open the sensor from the battery slot.
3. Slide the old battery out and replace it with the new one.
NOTE: This sensor uses a CR2450 battery.
4. Snap the sensor closed with the battery slot meeting the Lorex logo at the top.



STEP 2: Installing the Motion Sensor

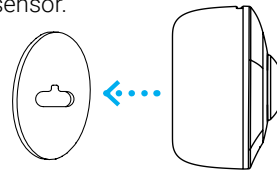
Location tips:

- The motion sensor can be installed indoors on a wall, ceiling or table, with or without the included bracket.
- The motion sensor works best when it's placed 6 to 8 feet high, to keep safe from being bumped and out of reach from children and pets.
- If you want to detect smaller objects, use one of the angled sides of the bracket. Keep in mind the range and width of the sensor.



Option A

1. Pick a flat surface area to stick the sensor.
2. Test the sensor's connectivity.
3. Peel the circular mounting adhesive and stick to the back of the sensor. Then stick the other side to the desired area.



NOTE: The sensor can be mounted on any flat surface using the adhesive. If you prefer to have the sensor on a table or placed in a 45° angle, see Option B for the bracket.

Option B - Bracket

NOTE: The bracket offers 2 separate angles for the sensor to face.

1. Pick a flat surface area to stick the sensor.
2. Test the sensor's connectivity.
3. Peel the circular adhesive and stick to the back of the sensor. Then stick the other side to the bracket.
4. Peel the other adhesive and stick to the desired bracket angle. Then stick the other side to the chosen flat surface area.

